



ZR6FD logo

drukwerk papier / paper
printing ZS6KO
ZS6BAQ ZS6PVW familie

WATTS

03 - 2006

Year 76+3m

Monthly newsletter of the Pretoria Amateur Radio Club
Maandelikse nuusbrieff van die Pretoria Amateur Radio Klub.

✉ PARC, PO Box 73696 Lynnwood Ridge 0040, RSA

web <http://www.qsl.net/zs6pta>

Bulletins : 145,725MHz 08:45 Sundays / Sondag
Relays : 1840, 3700, 7066, 10135, 14,200 MHz
depending on season

✂ Swapshop: After bulletin 2m and 40m (also on-line)

SARL Field Day 12-13 Feb 2006

Craig ZS6RH, Bill ZS6KO, Pierre ZS6PJH, Hans ZR6HVG, Pieter ZR6AHT
are visible here. See p4 for a report of events. Verslag op Bl.4



In this issue

- Editorial
- Minutes of meeting 02/2006
- Field Day report
- History ZS6PTA
- Member news
- Diary
- Technical
- Page eight

in hierdie uitgawe

Redaksioneel
Vergadering notules
Velddag verslag
Gesiedenis
Ledenuus
Dagboek
Tegnies
Bladsy agt

Next Meeting 01-03-2006

Time: 19:30 for 20:00
PARC Clubhouse,
South Campus,
University of Pretoria.
SE cnr University and
Lynnwood roads.

PARC Management team / Bestuurspan Aug 2005- Aug 2006:

Committee members					
Chairman, SARL liason, Fleamarkets	Alméro Dupisani	ZS6LDP	almero.dupisani@up.ac.za	012-567-3722	082-908-3359
Vice Chairman, Secretary Rallies, Social, Hamnet	Johan de Bruyn	ZS6JHB	johandbr@absa.co.za	012-803-7385	082-492-3689
Treasurer, Clubhouse, Database, DF hunts	Richard Peer	ZS6UK	peerrk@safrica.com	012-333-0612	082-651-6556
Newsletter Kits	Hans Kappetijn	ZS6KR	zs6kr@wbs.co.za	012-333-2612	072-204-3991
Historian Awards	Tjerk Lammers	ZS6P	zs6p@iafrica.com	012-809-0006	
Repeaters , Technical Public Relations	Craig Symington	ZS6RH	craigsym@global.co.za	012-997-4504	083-259-3233
Repeater custodian	Pine Pienaar	ZS6OB	janpienaar@ananzi.co.za	012-345-1801	082-447-7823
Co-opted / Geko-opteer:					
Repeater, technical	Johan Lehmann	ZS6JPL	jlehmann@csir.co.za	012-804-6173	083-300-8677
	Hans Gurtel	ZR6HVG	adele123@absamail.co.za	082-940-0623	082-940-0623
	Pieter Human	ZR6AHT	humanp@telkom.co.za	012-800-2888	082-565-6081
Repeater Maintenance	Willie du Plessis	ZS6AEA	hesterdup@webmail.co.za	012-565-5555	083-653-2101
Auditor	Egbert Begeman	ZS6AZG	egbert@worldonline.co.za	012-347-1905	082-490-1963
Asset control	Andre v Tonder	ZS6BRC	andre.vtonder@absamail.co.za	361-3292	082-467-0287
Tydrenne	Johann de Beer	ZR6YV		011-918-1060	082-857-1561
Klubfasiliteite, vlooiemark	Willie Greyling	ZR6WGR	willie@up.ac.za		082-940-2490
Webmaster,	Edwin peer	ZR6ESP	zr6esp@peer.co.za	012-333-0612	
RAE	Brian Scott	ZR6BJS	scottbri@gmail.com	084-312-7407	
Hamnet, projects	Roy Newton	ZS6XN	newtonr@telkomsa.net	012-547-0280	
Morse testing	Bill Ingleson	ZS6KO		012-331-2327	
Tea	Molly Peer	ZR6MOL	molly@peer.co.za	012-333-0612	
	Doreen de Bruyn	ZR6DDB		012-803-7385	

Editorial

It was very encouraging to see so many younger members turning up for the SARL Field Day and taking charge of the accommodation arrangements and contest. Despite the bad weather they were an enthusiastic team finding their feet in contesting and technical support without any mentors present, some relying purely on experience gained in last year's contest and knowing what not to do. (The old hands were either afraid of the weather, had some malady, or came late...)

Great stuff, and we hope that the bug has bitten such that this will continue ad-infinitum. Not to forget the spouses and children also being there for a relaxing time away from the rat-race and helping with the moral- gastric support and some harmonic suppression.

The seriousness with which the operators went for points, augers well for our Club standing in this contest and we extend our hearty congratulations to them.

I hope these members will also consider the SARL HF competitions - in which they can take part from their own QRA and get a new experience with different rules and operating conditions.

Redaksioneel

Dit was baie bemoedigend om te sien dat so baie jonger mense vir die SARL Velddag opgedaag het en beheer geneem het van die akkomodasie reëlins en die wedstryd. Desondanks die slegte weer was hulle 'n entoesiastiese span wat hulle voete gevind het in kompetisies en tegnieste bystand sonder dat daar enige mentors aanwesig was, met party wat kon staat maak op ondervinding van laasjaar se wedstryd en geweet het wat om nie te doen nie. (die ou manne was of bang vir die weer, het een of ander krankheid gehad, of het laat gekom...)

Baie bak, en ons hoop dat die gogga voldoende gebyet het dat dit ad-infinitum sal voortgaan. Ons moet ook nie vergeet dat gades en kinders ook daar was vir 'n ontspanne tydjie weg van die gejaag en gehelp het met morele- en gastronomiese bystand.

Die erns waarmee die operateurs vir punte gesoek het, voorspel vir ons Klub 'n goeie aansien in hierdie kompetisie en ons wens hulle van harte geluk.

Ek hoop dat die lede ook die SARL HF Kompetisies sal oorweeg waarin hulle vanaf hulle eie QRA kan deelneem en dus 'n nuwe ondervinding sal beleef met ander reëls en bedryfstoele.

Ed: Contesting and collecting awards may sound boring but it is a sure way of maintaining constant activity in amateur radio. They are incentives to get on the air on a regular basis, educate yourself in the ups and downs of propagation, optimize your station, antennas and operating methods, learn country prefixes and experience QSLing. One of my first certificates was Worked all Japan (WAJA) which proved to be very educational and success led to the All Africa Award as a next project. Be radio-active and try not to fall into the local 2m/40/80m ragchew pit as your only activity.

Minutes of the monthly club meeting of the Pretoria Amateur Radio Club held at the South Campus of the University of Pretoria on 1 Feb 2006

1. Present: 21 Members as per attendance register, 2 visitors being Henry Wickham and Jaco Lubbe ZR6JLL
2. Apologies: Johan ZS6JHB, Hal ZS6WB, Craig ZS6RH, Brian ZR6BJS, Martinhos ZS6BQP, Lizette ZS6LZT
3. Personal: Egbert ZS6AZG had an operation on his foot and is back home, Bertha, sw of Hans ZS6KR is progressing slowly, Mary, sw of Bill ZS6KO is recovering nicely and they may be moving from Pretoria soon.
4. Minutes: These were published in Watts. There was a typo in the minutes regarding the meeting date. Approval proposed by Hans ZS6KR and Vítor ZS6VG
5. Matters arising: None.
6. Rallies: The Belfast rally on 21 February only involves a few members, viz: Pierre ZS6PJH, Menno ZS6AVC and Johan ZS6JHB.
7. DF Hunt: This will take place on 18 February at the usual time and place. The fox will be Richard ZS6UK
8. Social: Information is not available, will be placed on the bulletin
9. Finances: The treasurer ZS6UK reported that it was too early in the month for a bank statement. He also reported that we need to re-evaluate the subscriptions as these have been R50 for the last 10 years. A change may only be approved at an AGM or SGM. A budget will be produced.
10. Projects: Hans ZS6KR has brought 2 protection kits and is working on a kit suitable for ZR0ZS upgrading.
11. Technical: Pine ZS6OB thanked Doppies ZS6BAQ for recording and retransmitting the bulletin. The tech team is looking at developing the CSIR repeater site. A better power supply is required for our primary repeater, it has to charge the battery and run the repeater. Pieter ZR6AHT can obtain a suitable unit at R800 including VAT and it has good specifications. The purchase of this power supply was approved. A security company is operation on 144.300MHz invading the band 24 hours daily. Someone also is calling 'Jakob' on 144.125MHz. Pine requires bearings to assist in locating these intruders. Technical discussion starts Monday 6 February when Hannes ZR6JDE will present a discussion on digital communications. Radio Sonder Grense had a talk on Suitsat at 16:00 this past Monday.
12. Fleas: The next flea market will be on 1 April at 09:00 at the usual place. Magda burgers and usual liquid refreshments will be available.
13. Ham diary: The SARL still has the 2005 events on the web page. The deadline for the Tinus Lange technical award is fast approaching.
14. Field day: New rules were emailed to email members. The event will take place on 11-12 February at Roodeplaat dam. Each member will need to bring own eats and drinks, and a sleeping bag if sleeping over.
15. Best HF awards: Will be done at the March meeting.
16. Museum: Charel ZR6GN is sorting out some equipment for the museum.
17. RAE: A course will be run. Brian has the newest notes and submitted a list for lecturer assistance.
18. Presentation: Paul ZS6BOO talked about antenna feeding and efficiency issues with well-prepared visuals.

Do you have something to present at meetings? Share your expertise or present the expertise of others at our regular presentation slot at club meetings. Anything technical, even outside the ham-radio field, can be of interest. Overhead projector, video, DVD and CD screening facilities are available.

Hear this: Excerpt from Executive summary - OFCOM (UK)

Reform of amateur radio licensing

Will it happen here?

- 1.1 This Ofcom statement sets out our new approach to the licensing of amateur radio.
- 1.2 It follows on from Ofcom's consultation on amateur radio licensing that was launched on 26 May 2005.
- 1.3 As a result of the consultation, Ofcom has decided to implement the following reforms:

- To issue lifetime amateur radio licences which will remain valid for as long as the licence details remain correct or until such time as the licence is either revoked by Ofcom or surrendered by the licensee. There shall be no end date on the amateur radio licence. Such licences will be personal to the licensee and will not be transferable.
- Provide an online, web-based, self-service licensing service as an alternative to the postal service.
- To issue electronic licences (probably PDF documents) to users of the online, web-based, self-service licensing service. Users of this service would print a hard copy of the licence which must be kept at the main station address.
- To continue to make paper licences available (but subject to a small administrative charge).
- To modify the original proposal by requiring licensees to validate their licence details at least once every five years in order to maintain their lifetime licence.

Read on at: <http://tinyurl/b3w8y> !!!

Saterdagoggend teen ongeveer 07:00 arriveer Pierre ZS6PJH en myself by Rooodeplaat dam. Die weer lyk nie belowend nie maar ons besluit om nogtans vas te byt en begin kamp opslaan.

So skuins voor nege daag Pieter ZR6AHT en Hans ZR6HVG ook op. Pieter met sy Toyota bakkie propvol toerusting, yskaste (skynbaar om die RF koel te hou) en 'n karavaan. Hans het sy junior Dominic saamgebring met fietse, Weber, gasbraaiers en baie liters Coke. Nou hoekom so baie Coke, vra ek. Hans verduidelik dat Pieter nie alleen die RF in toom kan hou nie. Hy wat Hans is, is daar om Pieter met raad en daad by te staan. Skielik lyk die weer nie meer so 'n bedreiging nie. Hoe dan anders met so 'n span vol geesdrif!

Intussen is daar tente op geslaan, maste opgerig, antenas gespan dat dit klap want 12 uur is nie meer te ver nie. Enkele minute voor twaalf arriveer Craig ZS6RH en Jaco ZR6JLL ook met sleepwa, maste, antenas, 'n paleis van tent en nog baie meer.

Intussen het Pierre hom gaan sit maak agter sy radio en toe die klok twaalf uur slaan toe laat waai hy met CQ CQ CQ kompetiese - ZS6PTA roep en luister! Dit was die begin van 'n heerlike naweek van spanwerk soos ek lanklaas aanskou het.

Dankie aan Pieter en Hans vir die tegniese ondersteuning sowel as om toe te sien dat die innerlike versterk word. Pierre wat die 40m bedien het, Craig en Jaco wat die 80m, 20m, 15m en 10m bedien het. Ongelukkig het ons nie 'n 160m antenna gehad nie maar ek is seker dat ons met die volgende been wel 'n plan gaan maak.



Pieter en Jaco



Craig hunting for points

No lack of power



Agter elke man is 'n vrou, word daar gesê. Dankie aan die lv's wat hulle mans kom ondersteun het, Bill ZS6KO wat kom help het met die "ceewabble u", tannie Mary vir die ondersteuning and last but not least, Ivan ZS6CCW and Vlasta for their support, Hans ZS6KR for urging the guys to give us points and eventually leaving 7,066MHz open for us on Sunday morning (and hopefully he will assist in calculating the points)

Yes, we made mistakes but we have learned a lot and already look forward to the next Field Day competition.

I am extremely proud to have been a part of this very enthusiastic team –

THE YOUNG ONES HAVE RISEN!

ZS 6 PTA

1930-2006

April 1954

PRETORIA

Pretoria Branch is jogging along peacefully with nothing to disturb the even tenor of its existence. This state of semi-somnambulism probably finds favour among members but it makes things difficult for those who have to write up Branch news.

Monthly meetings continue to be held regularly, and attendance, even if it could be better, is satisfactory. Those who get tired and drop out for a rest are replaced by the refreshed—something like the popular conception of American rugby. The main thing is that they come back. Our tea addicts suffered several tense moments of anxiety at one meeting as the fate of their favourite beverage hung in the balance. Tea won the day and they breathed again.

Our Jimmy Bishop, ZS6TQ, the Branch Secretary, relinquished his post to take up the broken thread of his studies. Like a pendulum he swings back and forth between these two points and uses the one as an excuse for giving up the other. Anyhow, he did good work while on the committee and we are grateful to him for it. OM Allen Ansell, ZS6AGL, has been appointed in his place.

Our welcome is extended to OM F. W. P. Ingleson, ZS6KO, and OM A. J. du Toit, ZS6PVT, and his SW, XYI. S. J. H. du Toit, ZSL6PVU, who have joined the Branch.

The Branch Exchange Department is promising to function well, but members are becoming sharper and more careful with their coupons. One chap bought a multi-coloured valve tester, a real bargain, as it is a dual-purpose job that can also be used as a pin table.

73.

ZSL6PMK.

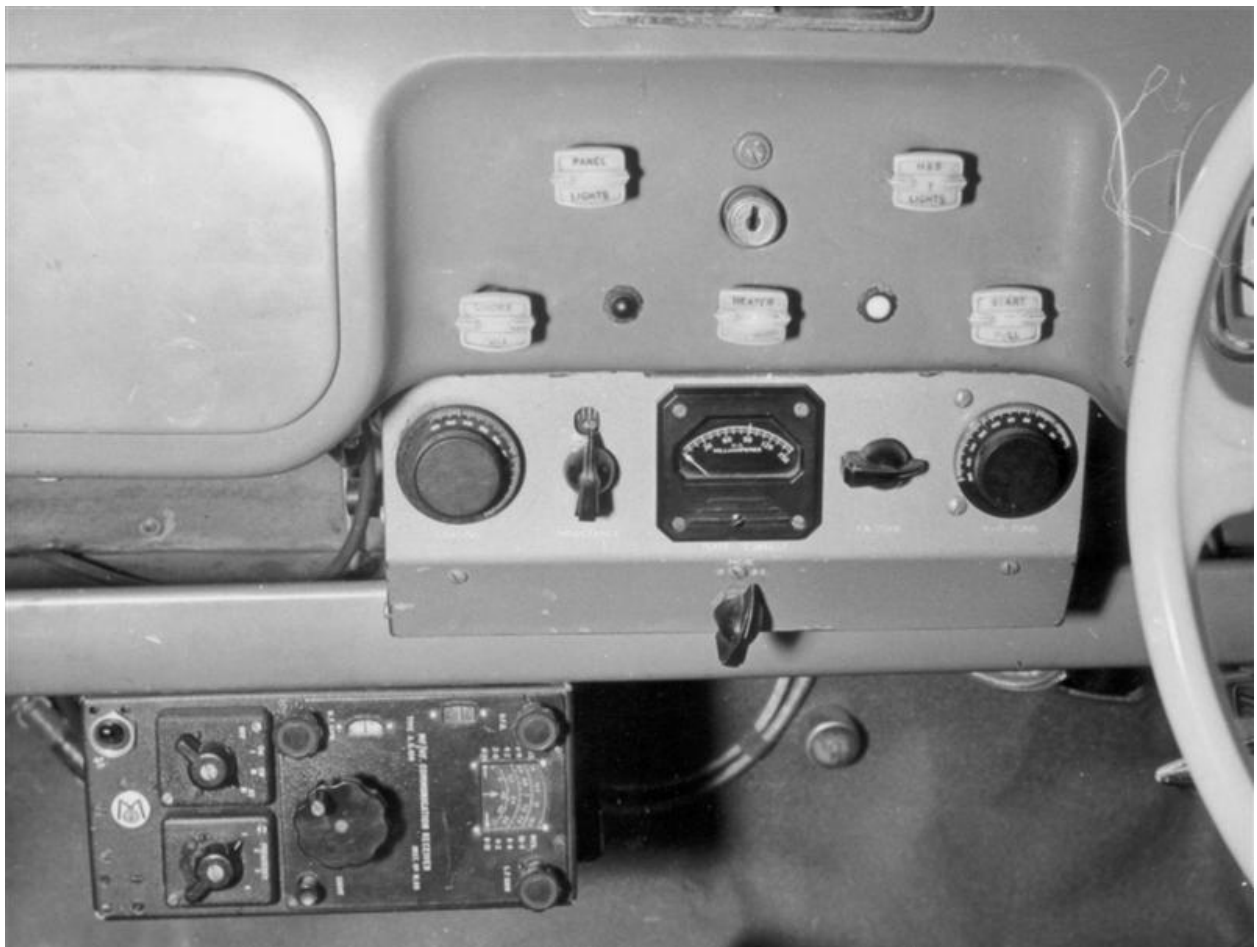
June 1958

JACK TWINE MERIT AWARD LUTHER UYS, ZS6E

OM Luther Uys, ZS6E, who recently received the Jack Twine merit award, has been a member of the Pretoria Branch for the last seven years. In 1949, when he was first issued with a Ham licence, he was tucked away on a farm near Vrede in the Orange Free State. There his operating depended upon lighting plants, and although it was not the ideal way in which to work a station, he did in fact work quite a large number of countries. In 1951 the yearning for the glittering lights of city life was too much for him, so he sold up and came to Pretoria.

From the time he arrived, he has been interested in helping other less fortunate than himself, the incapacitated Ham especially appealed to him. His activities did not only lean in that direction; he still found time to build rigs to enable the inexperienced Ham get on the air. Mobile work was another phase he was interested in, and his keenness resulted in quite a few more mobiles in the branch. In between times, he has been a member of the branch committee, and was Chairman when Pretoria held the A.G.M. of the League in 1956.

Another Mobiling Member of the past: Dennis ZS6EK



Birthdays

Maart
Verjaarsdae



01 Elsa, dogter van Elmarie ZR6AXF en Johan ZS6JPL
01 Albert, seun van Emarie ZR6AXF en Johan ZS6JPL
05 Martha Louisa lv van Attie ZS6REY
08 Thierry, son of Claire and Robert ZS6ARC
09 Helga, sw of Hans-Peter ZR6AJS
10 Gary ZR6GK
11 Kaye, daughter of Heila and Melvyn ZS5MF
12 Rita, sw of Vitor ZS6VG
16 Jeanne ZR6GPC, sw of Sander ZS6SSW
21 Frances ZR6AUT
21 Martie, lv van 'JB' ZR6YV

March
**Anniversaries
Herdenkings**

13 Bernice en Pieter ZR6KSA (2)

22 Julian ZS6AOU
22 Ivan ZS6CCW
25 Doreen ZR6DDB
27 Colin, son of Bernie ZS6ANU
30 Joey ZS6BBL lv van Jan ZS6BBK
31 Herman ZR6HBA

Sick Parade | Krukkelys

Egbert ZS6AZG is alweer deur 'n voetoperasie
Martinho ZS6BQP had to undergo hospitalization but is recovering well.

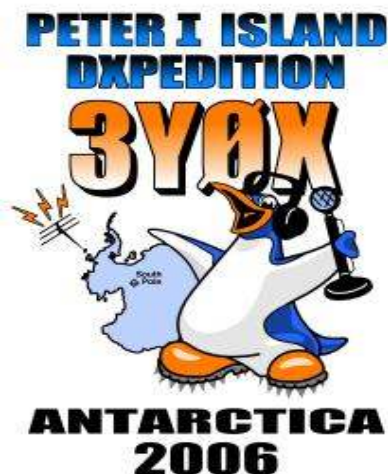
PARC Diary | Dagboek

Mar 04 East Rand Club Flea Market
18-19 SARL VHF/UHF Contest part I
25-26 CQWW WPX SSB Contest
30, 31 Inland and Coastal schools close

Apr 01 PARC Fleamarket
02 Hamnet 40m contest
05 PARC Club meeting
→ **Hand in proxies for SARL AGM**
08 SARL AGM

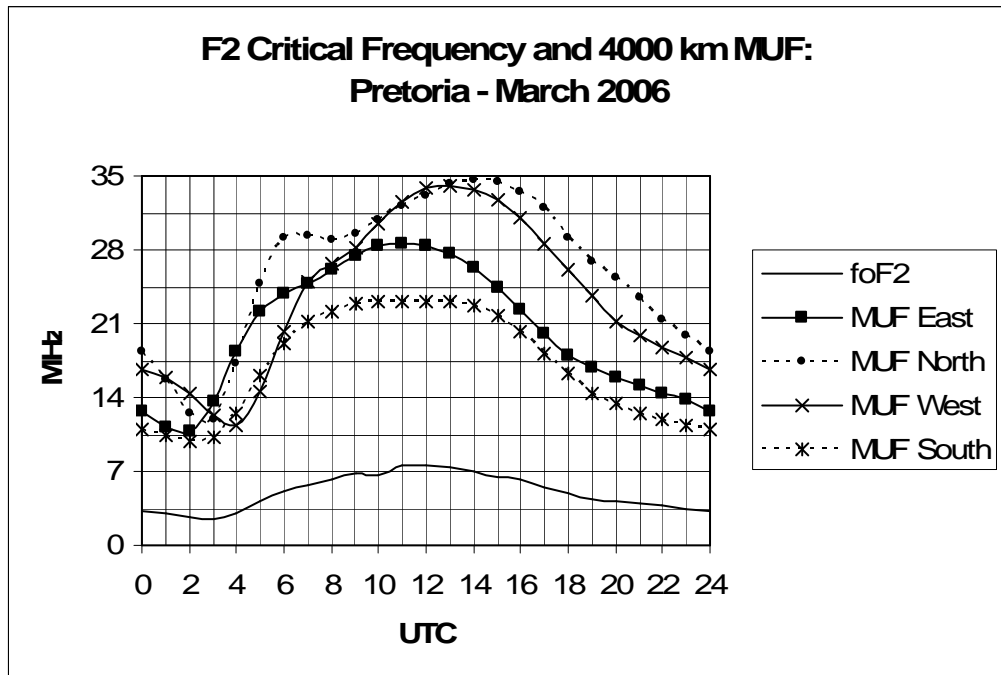
Snippets | Brokkies

- **Johan ZS6JHB** het weereens 'n SAM toekenning gekry vir sy bydrae tot tydren-motorsport bystand gedurende laasjaar. Sy kundigheid het hom ook 'n aanbod om as Hoof-Kommunikasie-Beampte op te tree by die Zulu Rally van Suid-Afrika in Durban in Mei 2006, in die sak gebring. Baie geluk Johan!
- **Volgende tydren:** Ellisras Toyota 18 Maart. 7 trajekte 3 mobiele stasies en 12 veldstasies benodig.
- Our **DF Hunt** took place on 18 Feb and Ivan ZS6CCW found the fox first. ZS6UK and family hosted a braai at their QRA afterwards, attended by 9 people.
- **Ed ZS6UT** had the wrath of the heavens visit his QRA on Wednesday 15 Feb., but luckily only resulted in antenna damage by lightning.
- **Peter I** has come and gone. Some of our DX-country-hunting members have managed to make a contact on at least one HF band despite poor conditions and even deliberate QRMing. Congratulations, and it will probably be a very long time before such a DX-pedition can be repeated.



DX Operating
The graph shows the 4000 km maximum useable frequency (MUF) to the East, North, West and South from Pretoria for the first hop using the F2 layer.

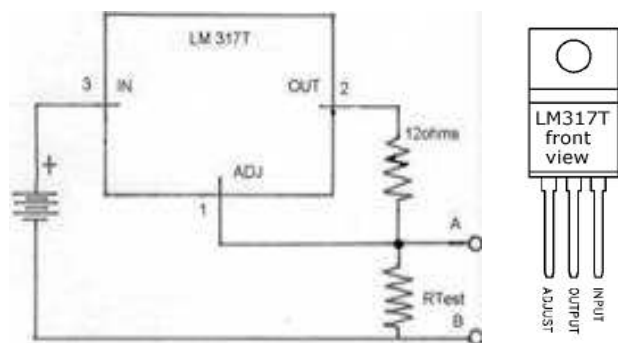
Local Operating
The F2 critical frequency (foF2) is the maximum frequency that will reflect when you transmit straight up. E-layer reflection is not shown.



MEASURING VERY LOW RESISTANCE

With acknowledgement to Acorn Times via the NARL Newsletter

The normal analogue or digital test meter comes with a range for measuring resistance. This is convenient and has good accuracy until it comes to measuring low values of resistance of the order of 5 Ohms or less. One factor is that the current that is passed through the test resistor is deliberately kept as low as possible. This extends the range of the meter at the high resistance end but compromises accuracy at the low resistance end. A second factor is that the resistance of the meter leads becomes significant when low resistance values are measured. The circuit below will give accurate measurement of resistance from about 50 Ohms down to 0.05 Ohms, with a resolution of 0.01 Ohms.



The circuit is so simple that it can quickly be hooked together just for the odd occasion that it is required. An LM317T adjustable voltage regulator is configured as a constant current regulator. The 12-Ohm resistor sets this current to 100mA. The unknown low value resistor R test is connected between points A and B. A digital voltmeter set to a low voltage range is connected to the same 2 points. The voltmeter measures the voltage generated across R test by the 100mA flowing through it. Ohms law shows that each mV represents 0.01 Ohms. For example, a reading of 0.123 V would indicate a resistance of 1.23 Ohms. Because of the current required, a sturdy battery should be used; the voltage is not critical. The test resistor should only be connected for long enough to note the voltmeter reading, this is to reduce power dissipation in both the test resistor and the LM317T. Power dissipation in the test resistor increases in direct proportion to its resistance i.e. 10mW for a 1 Ohm resistor and 1W for a 100 Ohm resistor. The LM317T has thermal overload protection.

The accuracy with the circuit shown should be within ± 5%. For higher accuracy, connect an accurate current meter in place of R test and trim the value of the 12-Ohm resistor so that the meter reads exactly 100mA.

----- Advertisements -----

ICOM in Pretoria: Pine ZS6OB has most of the whole ICOM line-up for demo/sale at his QRA. Phone 082-447-7823

VHF/UHF antennas: Pine ZS6OB builds to your requirements. Best performance and materials guaranteed.

Battery condition indicator kits: Roy ZS6XN has 3-LED indicator kits available at R20 each. Phone 012-547-0280

Connectors and adapters, legal limit 40m traps, Nissei SWR/wattmeters and component bargains: Hans ZS6KR always has stock. Also **Radio Protection kits:** Build this over-voltage sensing electronic circuit breaker into your 12V supply and prevent 12V radio burn-out in case of supply failure. Phone 012-333-2612.

Hamrad (Pty) Ltd.

74-76 LOOP STREET, CAPE TOWN
P.O. BOX 3579, CAPE TOWN
Appointed "EDDYSTONE" Distributors

BEST MICROPHONE VALUE EVER OFFERED



Here is a golden opportunity for fitting your rig with a microphone that is ideal for the purpose. It is exactly as illustrated and is fitted with a first grade carbon insert. Construction is such that fitting a crystal insert is quite a simple matter, any insert such as the ACOS, etc., will fit. As shown, there is an ample length of lead already wired in; this lead is screened microphone cable. The base of the mike is weighted and thus the chances of it being knocked over are remote. Price £1/5/-, plus 2/- postage. If a carbon microphone transformer is required we can supply one at 2/6. Don't miss this opportunity; it is not likely to ever be repeated.

YEAR 1981

- 1. Prince Charles got married.
- 2. Liverpool crowned soccer Champions of Europe.
- 3. Australia lost the Ashes tournament.
- 4. Pope died.

YEAR 2005

- 1. Prince Charles got married.
- 2. Liverpool crowned soccer Champions of Europe.
- 3. Australia lost the Ashes tournament.
- 4. Pope died.

In the future, if Prince Charles decides to remarry, please warn the Pope!!!

The FAA recently published "Proposed rules for Space Tourists and Operators"

Good Philosophy! (Found in PEARS Nov 2005)

People who do lots of work make lots of mistakes..
People who do less work make less mistakes..
People who do no work make no mistakes..
People who make no mistakes get promoted..
That's why I spend most of my time sending e-mails and playing games at work...*I need a promotion.*

A man sits for hours looking at his Marriage Certificate. The Wife asks? What are you doing, and he answers: "I'm looking for the Expiry Date"

WOW! (from Dataweek 8 Feb 2006)

▼ The TWC 1150 is a GSM camera wristwatch phone manufactured by *Telson* of South Korea, which debuted in India recently. The unit supports an Infrared wireless earpiece, a



256-colour STN LCD, photo caller ID, speaker phone, stopwatch, 16 polyphonic ring tones, voice recording and voice recognition. The plug-in camera supports 330 000-pixel resolution. It weighs 98 g.